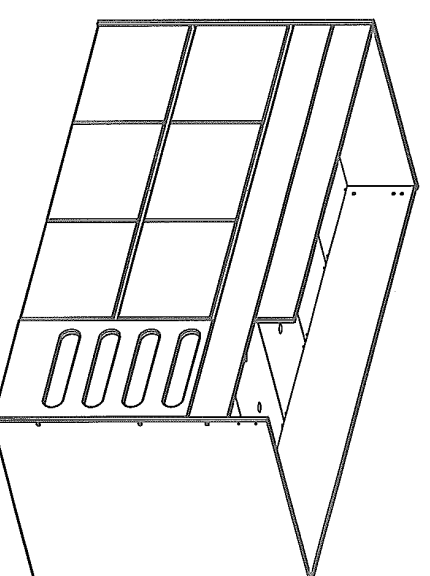
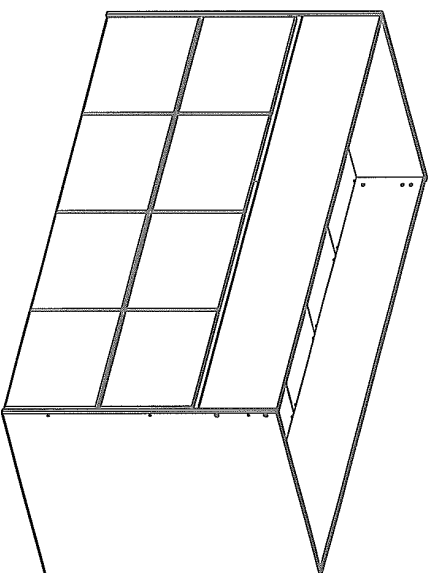
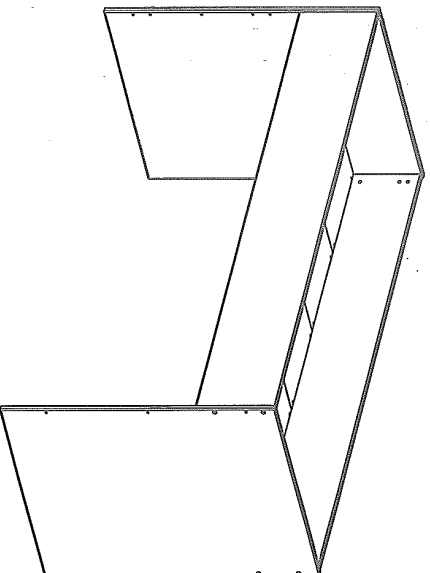
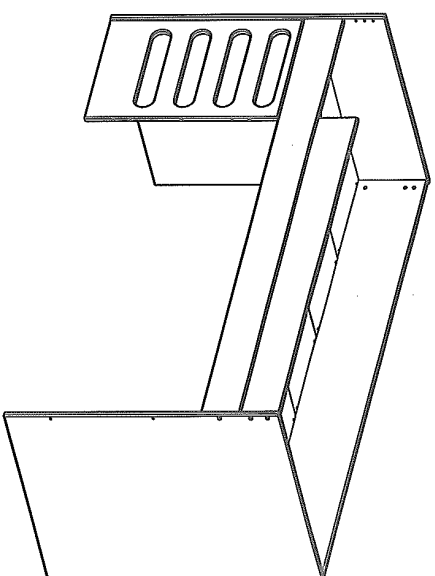
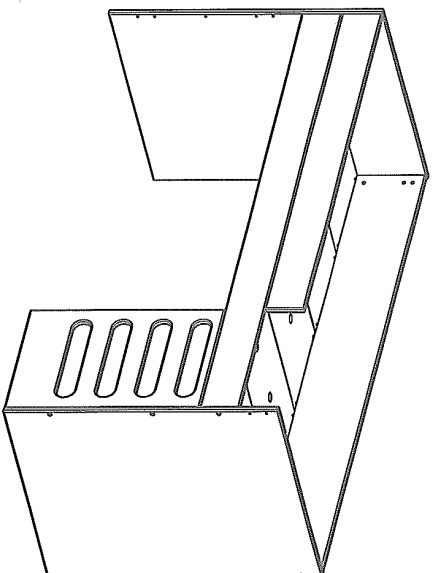


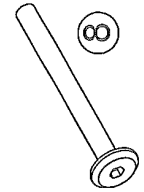
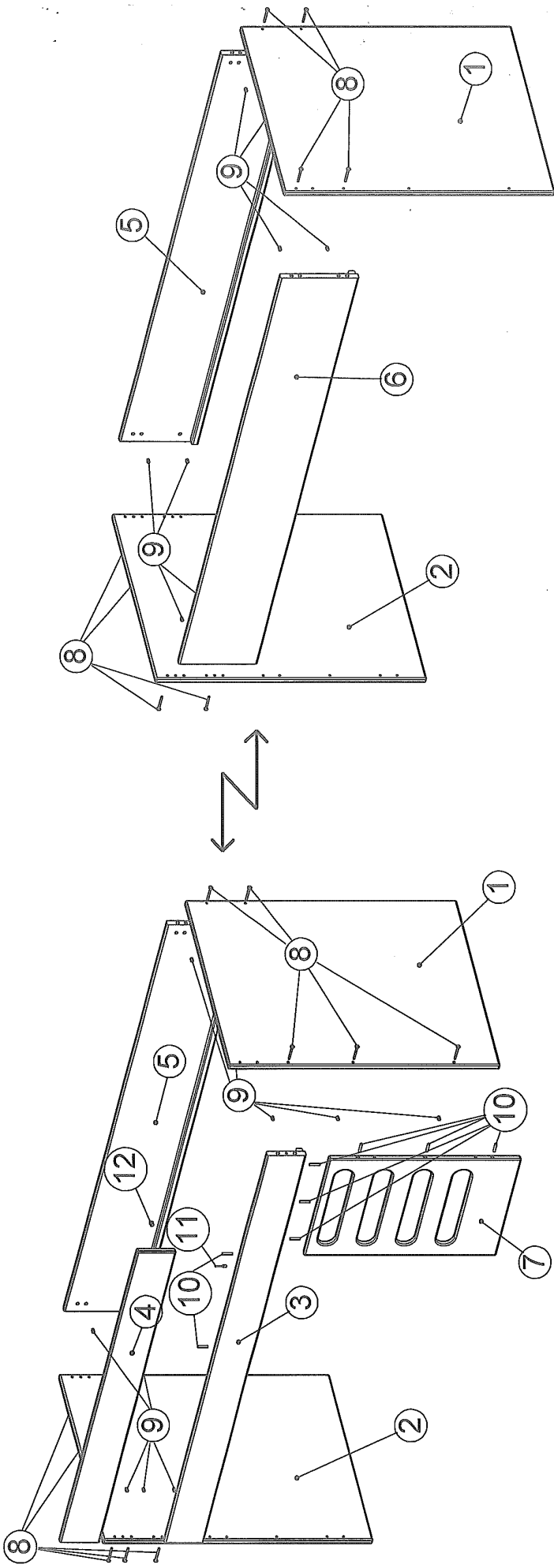
AVARRoom Pikku Parvi



Peltola Oy
Tainuskyläntie 184
66350 TAINUS (JURVA)
FINLAND

Tel: +358 (0)6 2100 100
Fax: +358 (0)6 3634190
e-mail: peltola@peltola.fi
WWW: www.peltola.fi

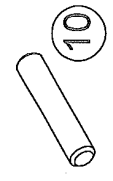
peltola



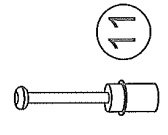
x10 / x8



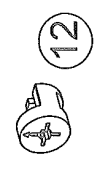
x10 / x8



x8 / x0



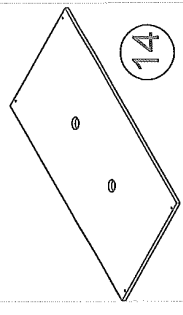
x1 / x0



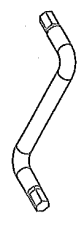
x1 / x0



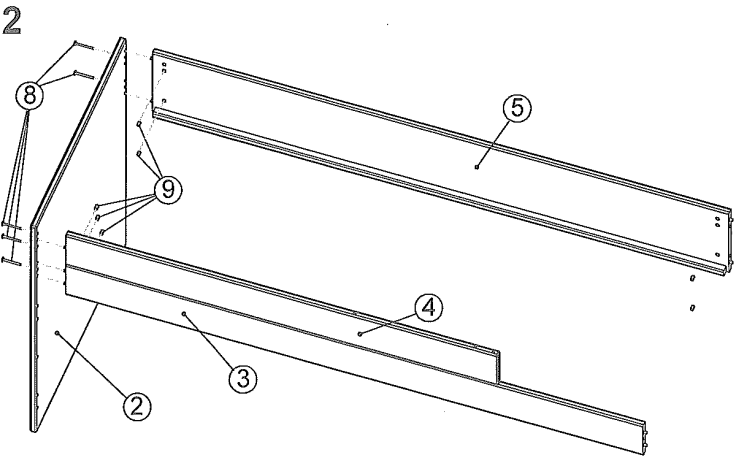
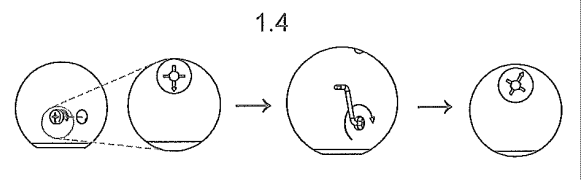
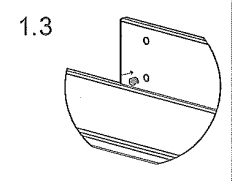
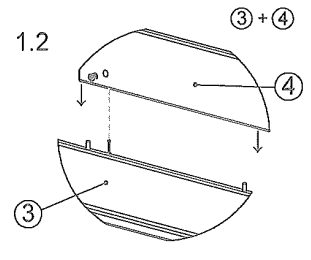
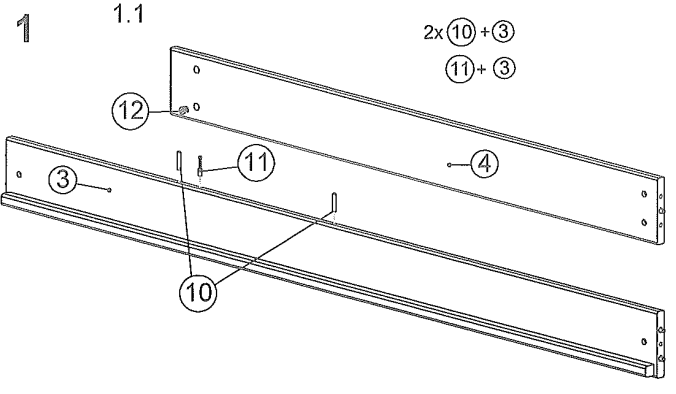
x20



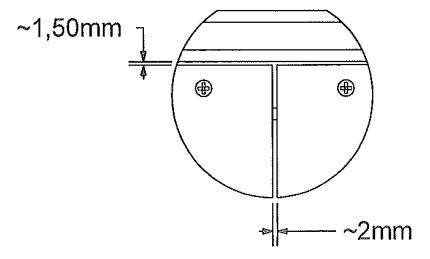
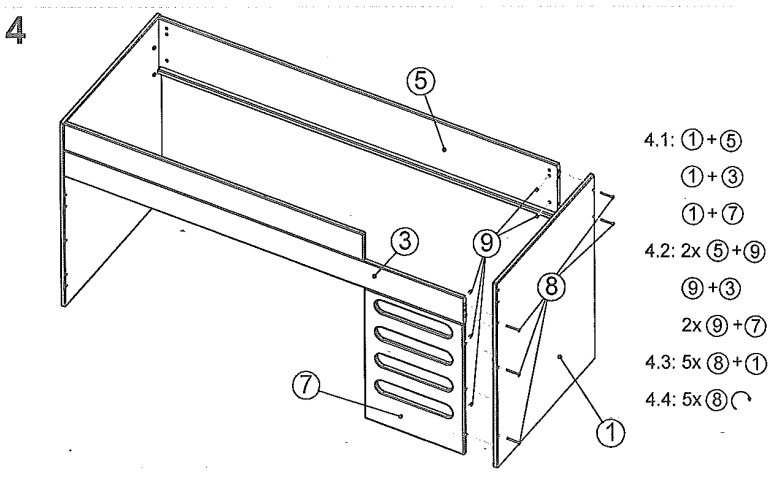
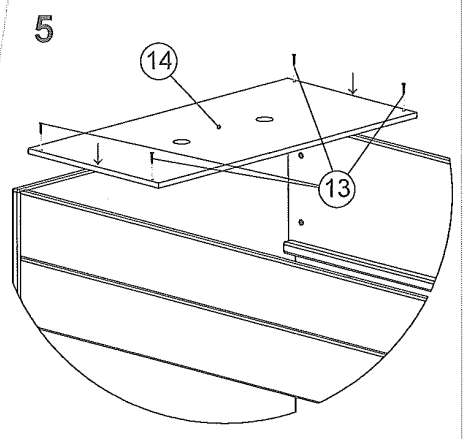
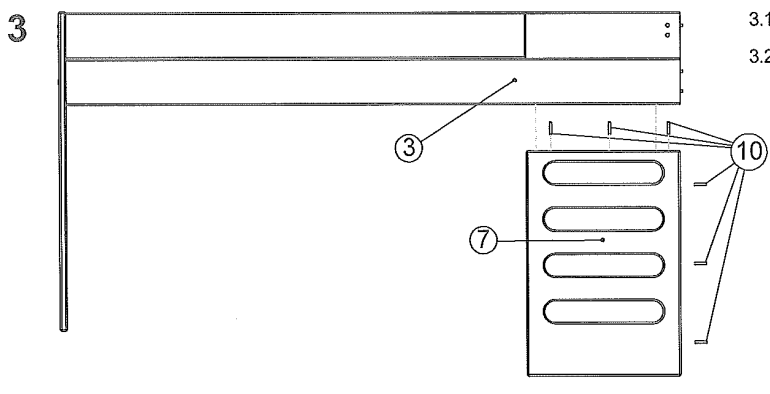
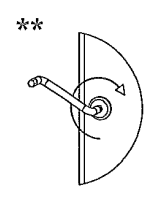
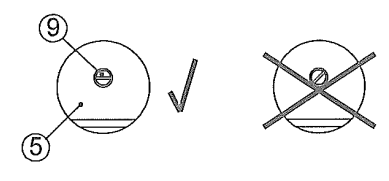
x5



x1

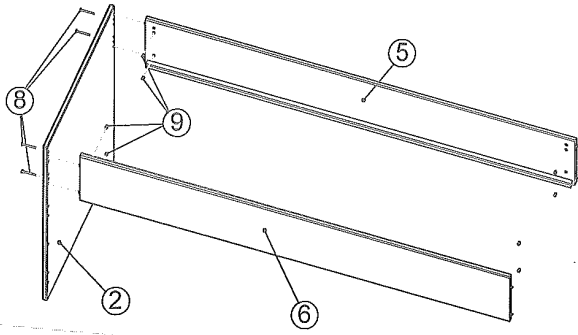


- 2.1: $2 \times (9 + 5)$
- 2.2: $(5 + 2)$
- 2.3: $2 \times (8 + 2)$
- 2.4: $2 \times (8 \curvearrowright)$
- 2.5: $2 \times (9 + 4)$
- 2.6: $(9 + 3)$
- 2.7: $(3 + 4 + 2)$
- 2.8: $3 \times (8 + 2)$
- 2.9: $3 \times (8 \curvearrowright)^{**}$

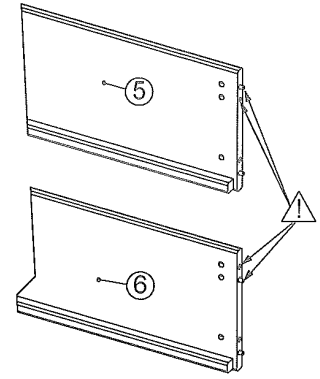




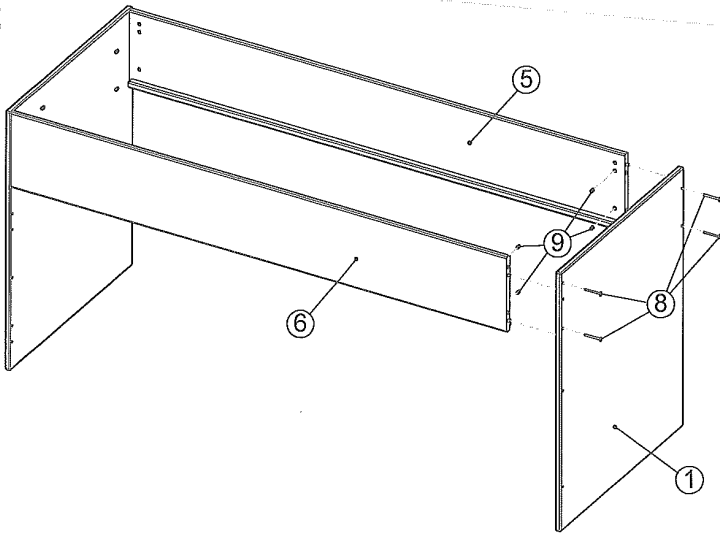
1



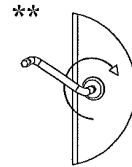
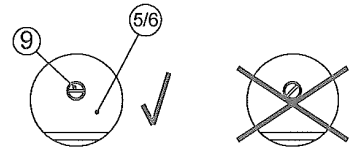
- 1.1: 2x ⑨+⑤
- 1.2: 2x ⑨+⑥
- 1.3: ⑤+②
- 1.4: ⑥+②
- 1.5: 4x ⑧+②
- 1.6: 4x ⑧↷



2



- 2.1: 2x ⑨+⑤
- 2.2: 2x ⑨+⑥
- 2.3: ⑤+①
⑥+①
- 2.4: 4x ⑧+①
- 2.5: 4x ⑧↷**



3

